



# Module 3, Lesson 5

## MILITARY CHILD PROTECTION FOCAL POINTS IN SECTORS, UNITS AND TEAM SITES

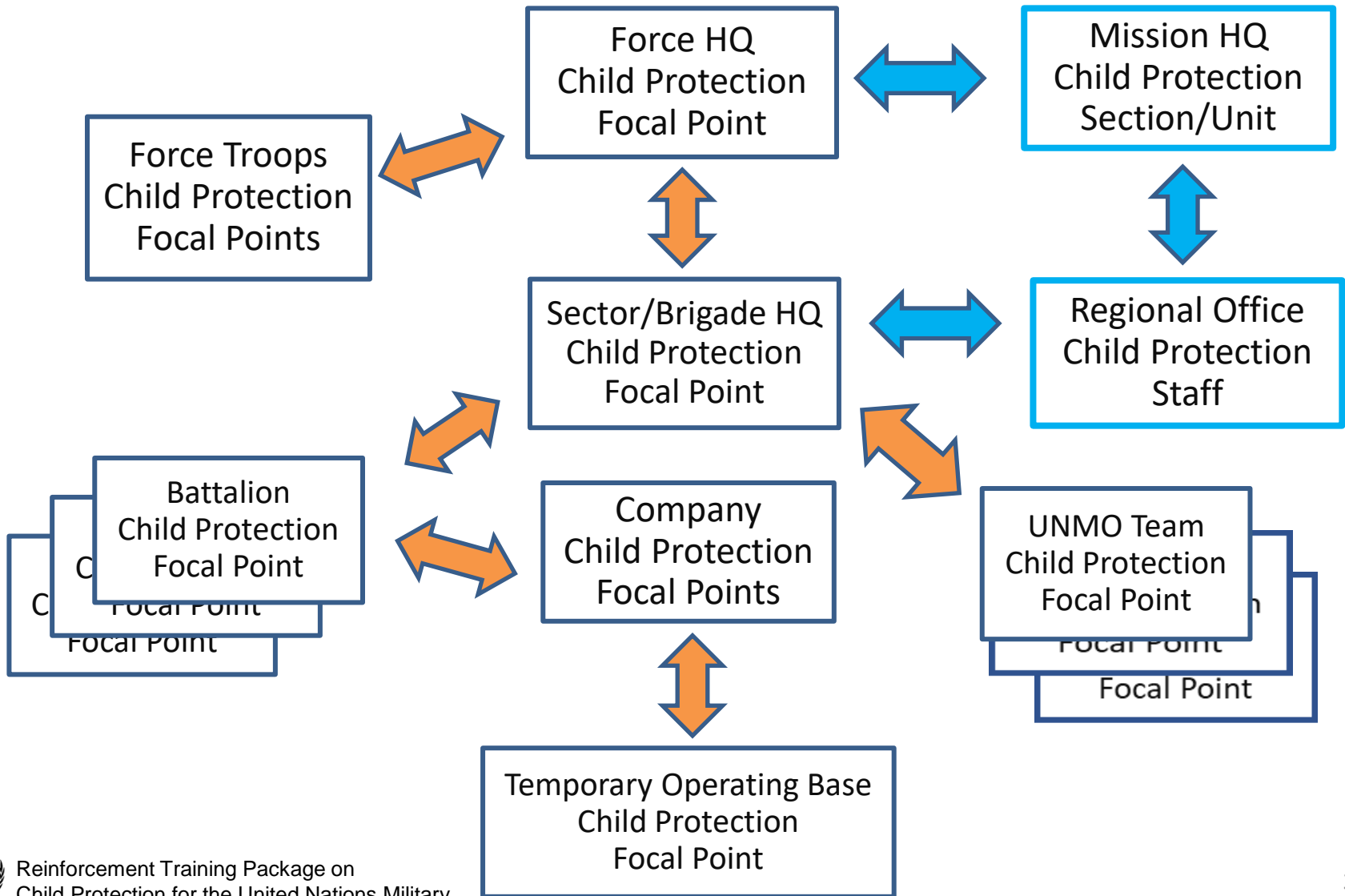


# Learning Objectives

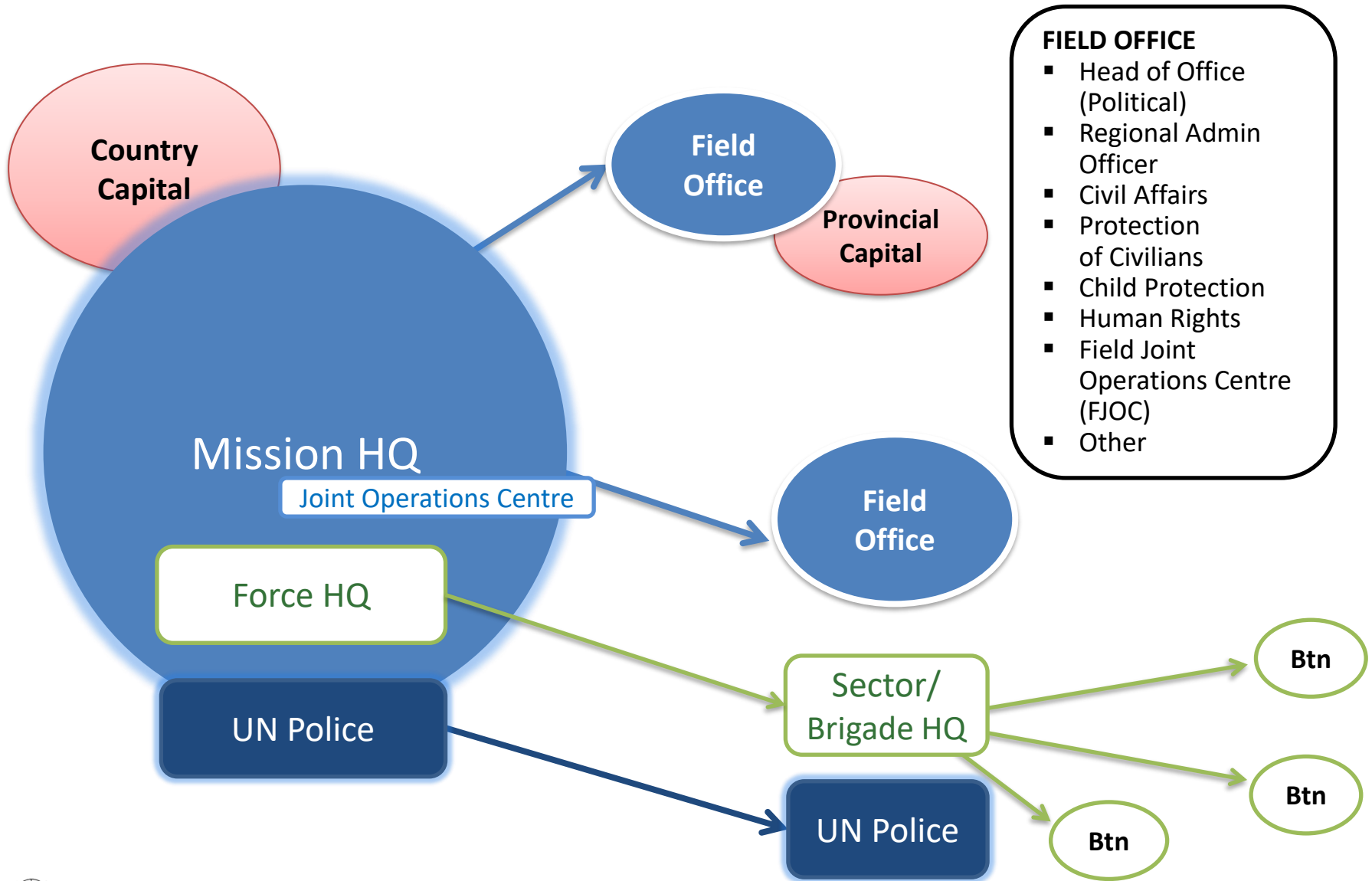
- **Explain** the functions of Child Protection Focal Points at sector/brigade, unit and team site levels
- **Identify** and **discuss** how best to implement Force HQ child protection directions at the tactical level
- **Demonstrate** the application of standard operating procedure (SOPs) for child protection at the battalion level



# Military Component Child Protection Focal Point System



# UN Field Office



# Operational to Tactical Level

## Mission Stabilization Plan

### MONUSCO Illegal Armed Group Plan

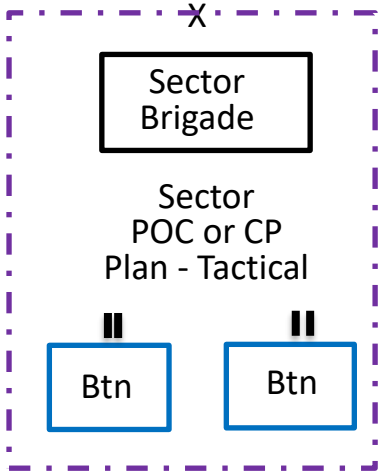
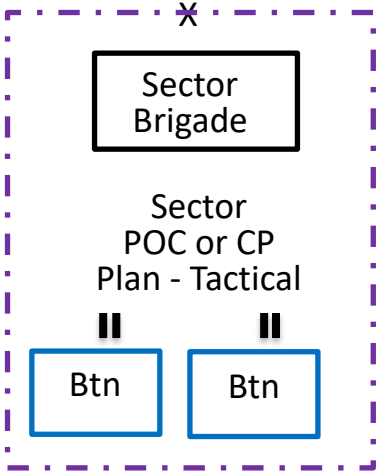
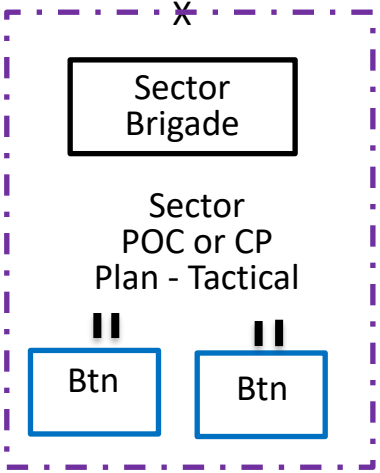
Mission Child Protection  
Strategy - Strategic

SRSB

Force Commander's  
Directive on Child  
Protection -  
Operational

XX

UN Force



# Sector/Brigade Child Protection Focal Points – Key Tasks

- Coordinate with the Field Office child protection staff to advise Sector/Brigade Commander and staff
- Implement Force HQ directions
- Mainstream child protection in all operations
- Ensure alerts on child protection issues are received through the Alert System
- Be aware of the referral mechanisms in AoR, and ensure all Child Protection Focal Points are adequately informed about referrals
- Provide support for child protection to subordinate units and team sites, including threat-related CP training
- Sensitize all staff on zero tolerance for sexual exploitation and abuse (SEA) and child labour



# Battalion/Unit Child Protection Focal Point – Key Tasks

- Advise Commander on child protection-related issues
- Maintain links with local child protection actors
- Implement sector/brigade directions on child protection
- Mainstream child protection in all operations
- Ensure troops know how to use the Alert System to report child protection threats, and activate the referral mechanisms, if needed
- Provide support to Child Protection Focal Points at Company locations and TOBs, including threat-related CP training
- Sensitize all staff on zero tolerance for sexual exploitation and abuse (SEA) and child labour



# Military Observer Team Site Child Protection Focal Point

- Presence of Child Protection Focal Points at each team site
- Establish/maintain links with local child protection actors
- Mainstream child protection in all patrols and tasks
- Advocate child protection
- Use the Alert System and the Referral System
- Ensure threat-related child protection training
- Enforce zero tolerance for sexual exploitation and abuse (SEA) and child labour





# Implementing Force HQ Child Protection Policies (1)

## Group Discussion

- Does Sector/Brigade HQ need to produce its own Child Protection Directive?
- Is issuing a Directive sufficient?
- Should the Sector/Brigade Directive be a cut-and-paste from the Force HQ Directive?
- What are the key contents of a Child Protection Directive?



# Implementing Force HQ Child Protection Policies (2)

- A Directive alone is not sufficient at the tactical level
- There should also be standard operating procedures (SOPs) and orders
- Guidance at the tactical level should be relevant to the specific context
- Policies should reflect the child protection threats in the particular mission area

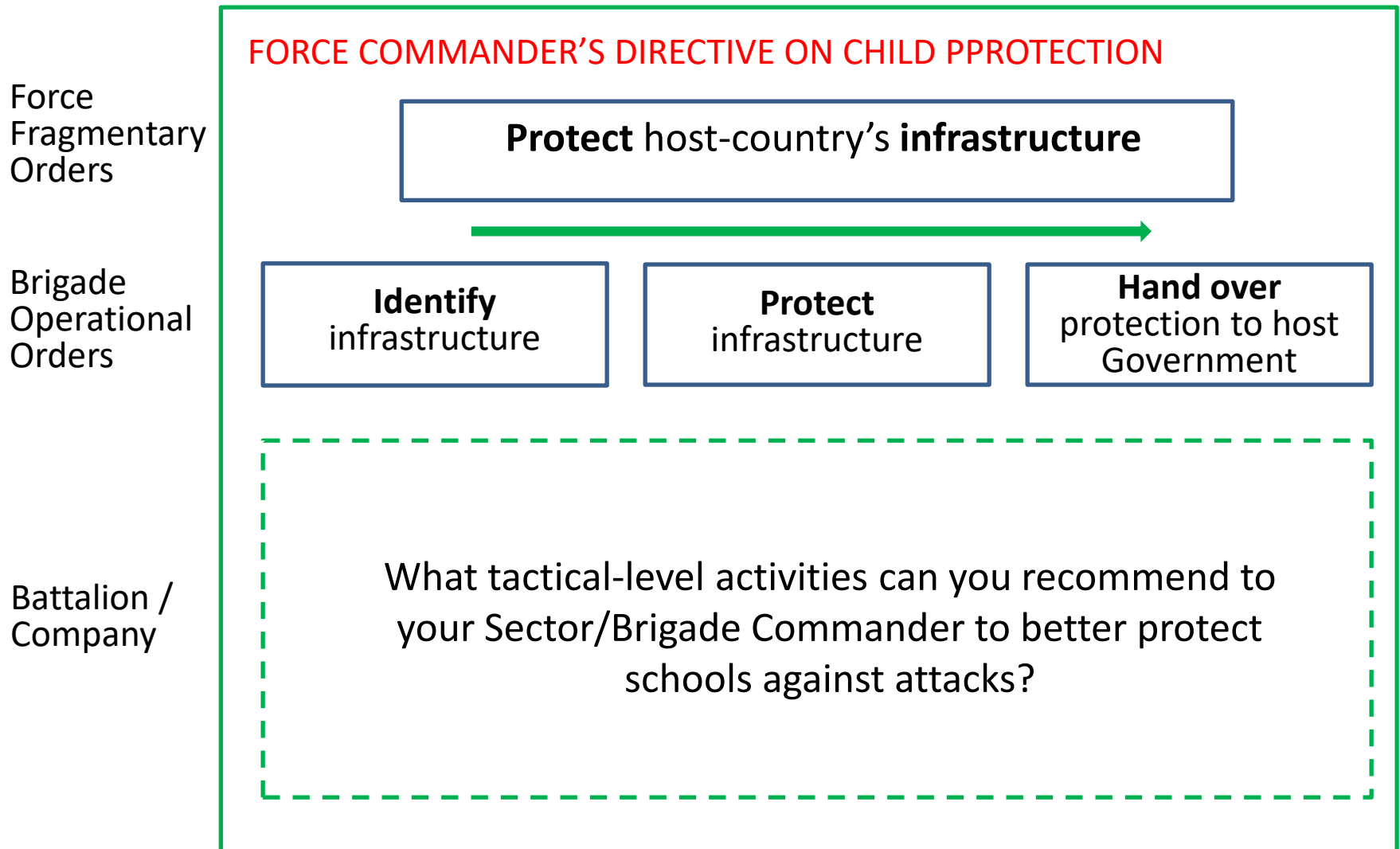


# Implementing Force HQ Child Protection Directions – Sector/Brigade Orders

- Drafted by the sector/brigade Child Protection Focal Point and the civilian Child Protection staff
- Jointly approved by the sector/brigade Commander and Chief of Staff
- Collated by the Force HQ Child Protection Focal Point
- Ensure that Child Protection staff (Mission HQ) is briefed on all sector plans



# Developing Military Activities



# Implementing Force HQ Child Protection Policies (3)

- Refer to the Force Commander's Directive on Child Protection to ensure child protection is mainstreamed into all military functions and activities
- As a Child Protection Focal Point, you are responsible for linking child protection to military activities = a mandated task
- Conduct joint planning with civilian child protection colleagues
- If in doubt, ask the civilian Child Protection staff
- Ensure back-briefs; share information



# Battalion Child Protection – Standard Operating Procedures

- Role of the battalion Child Protection Focal Point
- Monitoring and reporting on the six grave violations
- Using the Alert System and appropriate report format
- Guidelines on interactions with children
  - Civilian-Military Cooperation Unit
  - Child Protection Unit
- Procedure relating to surrender of children
- Procedure relating to detention of children
- Procedure relating to handover of children
- Sexual exploitation and abuse (SEA) and child labour



# Handling of Detention: Special Considerations for Children

- Last resort measure and for as short a time as possible
- Immediately disarm child/children
- Inform the Child Protection Section
- Separate children from adults (unless same family), and boys from girls
- Respect the child (and his/her rights)
- Provide food, first aid, civilian clothing
- Do not question the child/children (other than basic facts)
- Bear in mind the best interest of the child
- Bear in mind the “Do No Harm” principle



# Child Protection Pocket Card

## Group Discussion

There is a lot of child protection information for a military personnel to remember on the ground.

- Do military personnel need a Child Protection Pocket Card as a quick reference?  
(a ROE Card already exists)
- What information should the Pocket Card contain?





# Takeaways

- Each level (sector/brigade, battalion, company, temporary ops base, UNMO team site) should have its own specific tactical child protection documents
- Child protection documents must be relevant to specific area of responsibility and the role of the unit
- Documents are only the basis for effective child protection; military personnel must be trained, rehearse and implement procedures
- Report all child protection concerns/observations and establish mechanisms to generate situational awareness



# References

- United Nations, DPKO/DFS/DPA Policy on Child Protection in United Nations Peace Operations, 2017
- United Nations, Infantry Battalion Manual (UNIBAM), Second Edition, January 2020
- United Nations, DPO-DPPA-DSS, Standard Operating Procedure: The Handling of Detention in United Nations Peacekeeping Operations and Special Political Missions, 2021



# Questions

